



Afdelingen for Bærende Konstruktioner  
Department of Structural Engineering  
Danmarks Tekniske Højskole · Technical University of Denmark

Resuméoversigt 1990  
Summaries of Papers 1990

Serie R

No 268

1991

AFDELINGEN FOR BÆRENDE KONSTRUKTIONER  
Danmarks Tekniske Højskole  
Bygning 118, 2800 Lyngby, Tlf. 42 88 35 11

DEPARTMENT OF STRUCTURAL ENGINEERING  
Technical University of Denmark  
Building 118, DK-2800 Lyngby, Denmark  
Telephone (International): +45 42 88 35 11  
Telex: 37529 dthdia dk

RESUMÉOVERSIGT 1990

\*Summaries of Papers 1990

Redigeret af  
Hugo Møllmann

1991

**Tekstbehandling: Annebella Henriksen**

**Fotos: Christian Bramsen, ABK.**



**Resuméoversigt 1990 - Summaries og Papers 1990**

Copyright © by H. Møllmann 1991

Tryk:

Afdelingen for Bærende Konstruktioner

Danmarks Tekniske Højskole

Lyngby

ISBN 87-7740-067-4

## INDHOLD

1. Videnskabelige publikationer m.v.....	4
2. Rekvirerede undersøgelser .....	44
3. Eksamensprojekter .....	47
Emneregister .....	52

## Notationer:

F	:	Forelæsningsnotat, ISSN 0108-0571.
/Lic./	:	Licentiatafhandling.
/%/	:	Publikationen kan ikke erhverves gennem Afdelingen for Bærende Konstruktioner. Der henvises til den anførte institution e.l.
R	:	Rapport, ISSN 0108-0768.
S	:	Sagsrapport.

## \*CONTENTS

1. Scientific papers etc. ....	4
2. Reports on contract work .....	44
3. Final year projects .....	47
Subject index .....	56

## \*Notations:

F	:	Lecture note, ISSN 0108-0571.
Gratis	:	Free available upon request.
I	:	Internal report.
/Lic./	:	Thesis for the degree of Doctor of Philosophy.
Pris kr.	:	Price in D.kr.
R	:	Report, ISSN 0108-0768.
s.	:	Pages
S	:	Reports on contract work.
/%/	:	The publication cannot be obtained from the Department of Structural Engineering. Please apply to the publishing institution indicated or use library sources.
*	:	Text in English.

## 1. VIDENSKABELIGE PUBLIKATIONER M.V.

### Scientific papers etc.

Publikationer, der ikke er mærket med /%/ eller med pris, er gratis.

Publikationer, som er mærket med /%/, kan ikke erhverves gennem Afdelingen for Bærende Konstruktioner. Der henvises til den anførte institution eller udgiver.

Publikationer, for hvilke der er angivet en pris, vil blive faktureret til bestilleren.

Der er indført en abonnementsordning for Afdelingens serie R (Rapporter, ISSN 0108-0768), der beskriver forskningsresultater fra ABK. Publikationerne i denne serie kan fås tilsendt straks ved udgivelsen for en abonnementspris af kr. 130,- dækkende udgivelserne i perioden 1.7.1991 - 30.6.1992 (ca. 5 - 8 publikationer). Anmodninger om abonnement kan gives skriftligt eller telefonisk til Afdelingen.

Endvidere er der indført en abonnementsordning for Afdelingens serie F (Forelæsningsnotater, ISSN 0108-0571), der indeholder grundlaget for de fleste af Afdelingens undervisningstilbud. Mange emner beskrives her for første gang på dansk. Publikationerne i denne serie kan fås tilsendt straks ved udgivelsen med en abonnementsrabat på 20%. Anmodning om abonnement for perioden 1.7.1991 - 30.6.1992 må ske skriftligt, f.eks. på den kupon, som findes bagest i dette hæfte. Abonnementsprisen vil blive opkrævet ved periodens udløb.

\*Publications not marked with an /%/ or for which no prices are indicated are free upon request. For a publication for which a price is indicated, payment must be made at the time of ordering.

The series R (Report ISSN 0108-0768), in which the research reports are being published may be obtained in subscription. The subscription price outside Denmark, covering publications in the period 1st July 1991 to 30th June 1992, is Dkr. 130,-. Payment should accompany orders of subscription.

A publication exchange agreement may be made with institutions working with structural research problems. Please apply for further information.

...

...

...

...

...

...

AGERSKOV, HENNING: \*Fatigue Strength of Welded Lap Plate Connections. (Udmattelsesstyrken af svejste laskeplade samlinger). International Institute of Welding, Annual Assembly, Montreal, July, 1990, IIW Doc. XIII-1350-90, 17 pp. (Reprints available).

\*The fatigue strength of welded single and double lap plate connections has been studied. Eight series of tests have been carried out, varying the main dimensions of the test specimens.

In the tests performed, the fatigue cracks initiated either in the main plate or in the lap plate - at the edge of the transverse weld or at the end of the longitudinal weld. For the double lap plate joints, the test results showed a higher fatigue strength for a failure initiating at the edge of the transverse weld than for a failure initiating at the end of the longitudinal weld.

Furthermore, the effect of preloading on the fatigue strength was studied. The test results clearly demonstrated that preloading generally will have a beneficial effect with respect to fatigue, due to the reduction in the level of tensile residual stresses and/or the introduction of compressive residual stresses at the critical points.

AGERSKOV, H., se også YAMADA K. og HENNING AGERSKOV

ASKEGAARD, V., L.O. NIELSEN and S. WICHE: \*Measurement of contact stresses on a thin silo wall. Proc. 9th Intern. Conf. on Experimental Mechanics, Copenhagen. August 20-24, 1990, p. 59-66.

\*Measurements of normal- and shear contact stresses are of interest in thin walled silos. Because the pressure cell thickness no longer is small compared with silo wall thickness and may also have a different stiffness, the stress distribution on the cell may deviate from what would have been the case had the silo wall

been undisturbed. This may lead to a measuring error. In the paper an estimate is given of this measuring error by using FEM methods. A technique is also described where a small part of a 5 mm thick steel silo wall has been cut out, transformed into a two-component pressure cell and reinstalled in the wall with very little change of the local stiffness. Equilibrium tests have been carried out in a steel model-silo with 14 such cells.

The calculated results indicate that to obtain a relative measuring error of less than 5% in a model silo with Epoxy wall the stiffness of the pressure cell should not deviate more than 20% from the stiffness of the Epoxy. The use of a pressure cell of metal would lead to excessive errors when used in shells of relatively low stiffness. It also follows that the thickness of the cell and the wall must deviate only a few percent.

For a steel silo model the thickness ratio between cell and wall should be less than 1.25 to obtain a relative error less than 5%, i.e. a total thickness of the inclusion of 6-7 mm in a 5 mm thick wall.

For a full scale steel silo the thicknesses should deviate less than 5% to obtain a measuring error lower than 5%.

BRØNDUM-NIELSEN, TROELS: \*Redistribution of Concrete Stresses due to Creep after Change of Structural System. (Spændingsomlejring i betonkonstruktion på grund af krybning efter ændring af det statiske system). ACI Structural Journal. V. 87, No. 4, July-August, 1990, pp. 393-396. (Reprints available).

\*Changes in the structural system may create drastic concrete stress redistributions due to creep (relaxation), a fact which is frequently ignored. After the change of the structural system, the stress redistribution caused by the load transferred to the first structural system changes towards a distribution close to that which would have existed if the load had been transferred after the change of the structural system.



Ændringer af betonkonstruktioners statiske system kan medføre drastiske spændingsomlejninger på grund af betonens krybning (relaksation). Dette forhold overses ofte. Efter ændring af det statiske system vil spændingsfordelingen fremkaldt af lasten overført til det oprindelige statiske system omlejres, så spændingsfordelingen nærmer sig stærkt til den, der ville optræde, hvis lasten havde været påført efter ændringen af det statiske system.

BRØNDUM-NIELSEN, TROELS: \*International Research Cooperation. (Internationalt Forskningssamarbejde). Proceedings XXII International Conference of Young Scientists in the Field of Concrete and Reinforced Concrete, Irkutsk, USSR. V. III, May 1990, pp. 10-13 (English version) and pp. 11-14 (Russian version). (Reprints available).

\*The need of international research cooperation is emphasized. Economic problems and language barriers exist. Methods of overcoming such obstacles and for establishing international contacts between researchers are suggested.

Behovet for internationalt forskningssamarbejde påpeges. Økonomiske problemer og sprogbarrierer er alvorlige hindringer. Der anbeføres metoder til at klare disse vanskeligheder og til at etablere international kontakt mellem forskere.

BYSKOV, ESBEN: \*Selected Buckling Problems. Dr. Techn. Thesis. (Udvalgte Stabilitetsproblemer. Teknisk Doktorafhandling). Afdelingen for Bærende Konstruktioner, DTH., vi + 49 s., 1989.

\*Three major aspects of buckling in the presence of geometric imperfections are studied: Elastic buckling with mode interaction, Plastic buckling without mode interaction, and Plastic buckling with mode interaction with main emphasis on the first subject.

Equally important are two subjects closely connected with

above: Investigations of the range of applicability of the asymptotic expansion developed by Byskov & Hutchinson, and Numerical determination of buckling and postbuckling quantities.

I afhandlingen studeres tre emner, som er vigtige for forståelsen af bulingsfænomener, der domineres af geometriske imperfektioner, nemlig: Elastisk buling med 'mode interaction', plastisk buling uden mode interaction samt plastisk buling med mode interaction, idet vægten lægges på det første emne.

Der studeres også to andre emner, der er lige så vigtige, og som er nøje knyttet til ovenstående, nemlig: Gyldighedsområdet for den asymptotiske udvikling, der først er opstillet af Byskov & Hutchinson samt numerisk bestemmelse af forskellige størrelser, der er knyttet til buling og 'postbuckling'.

BYSKOV, ESBEN, se også STANG, H., M. TONNESEN og E. BYSKOV

DAHL, KAARE K.B.: \*Preliminary state-of-the-art report on multi-axial strength of concrete. (Foreløbig 'state-of-the-art' rapport om betons fleraksede styrke). Afdelingen for Bærende Konstruktioner. Serie R, nr. 262, 1990. 77 s. Gratis.

\*This report deals with the strength of concrete subjected to triaxial stress fields.

The report describes some of the more important failure criteria for concrete. Furthermore, a description of the possible factors that affect, or are thought to affect, the triaxial strength of concrete is included. Also in the report is a description of the various test arrangements used through the years. These test arrangements all have strengths and weaknesses which are described. Finally, most of the published strength results are presented, along with a bibliography over the published research.

Denne rapport omhandler styrken af beton udsat for en treakset spændingstilstand.

Rapporten gennemgår kort en række af de mere vigtige brudbetingelser for beton, og sammenligner disse brudbetingelser med opnåede forsøgsresultater. Ydermere gennemgås en lang række af faktorer, der har indflydelse på - eller menes at have indflydelse på - bæreevnen af beton over for treakset spændingstilstand.

Rapporten indeholder også en gennemgang af de vigtigste forsøgsopstillinger og -legemer, der er blevet brugt igennem tiderne, idet der fokuseres på fordele og ulemper ved de pågældende forsøgsmetoder.

Sluttelig præsenteres de fleste af de til dato publicerede forsøgsresultater, sammen med en bibliografi over emnet 'treakset spændingstilstand i beton'.

DAMKILDE, LARS: Elementmetoden for bjælkekonstruktioner. (\*The Finite Element Method for Frame Structures. In Danish). Afdelingen for Bærende Konstruktioner. Serie F, nr. 118, 1990. 85 s. Kr. 20,- excl. moms.

Formålet med notatet er at bibringe de studerende en grundlæggende forståelse for elementmetoden. Metoden er søgt fremstillet både som en systematisk formulering og videreudvikling af den traditionelle deformationsmetode til brug ved håndregning, og som et værktøj til udvikling af beregningsmetoder for egentlige 2- eller 3-dimensionale legemer som f.eks. skiver og plader.

Notatet omhandler kun plane rammer, og der gennemgås både den statiske løsning og beregning af den klassiske stabilitetslast. Ved beregning af stabilitetslasten benyttes tilnærmede formfunktioner, og dette forhold bruges til generelt at diskutere valg af elementinddeling, som har stor betydning ved anvendelse i f.eks. skive- og pladeproblemer.

\*The aim of the text is to give a fundamental understanding of the finite element method. The method is presented both as a systematic and refined development of the classical deformation method and as a tool for analysis of 2- and 3-dimensional structures e.g. slabs and plates.

The text only considers plane frames, and we regard both static load and calculation of the classical critical load. For the stability problem we apply approximate shape functions, and this introduces a general discussion of the choice of element size, which is of very great importance in e.g. plate and shell structures.

DAMKILDE, LARS, se også KRENK, STEEN OG LARS DAMKILDE

DITLEVSEN, OVE: \*Asymptotic First-Passage Time Distributions in Compound Poisson Processes. Structural Safety, No. 8, 1990, pp. 327-336. (Reprints available).

\*First-passage problems for compound Poisson processes appear in reliability investigations concerning damage accumulation in structures that are subject to random process excitations. Asymptotic first-passage time distributions are easily obtained. Their accuracies are studied by use of simulation. Surprisingly good accuracy is achieved.

DITLEVSEN, OVE, R.E. MELCHERS and H. GLUVER: \*General Multi-Dimensional Probability Integration by Directional Simulation. Computers & Structures, Vol. 36, No. 2, 1990, pp. 355-368. (Reprints available).

\* $n$ -Dimensional integration by Monte Carlo directional importance sampling using analytical or numerical integration for each simulated direction is discussed. A suitable general class of sampling distributions is considered. The class is denoted as the class of mixed  $\bar{\mu}$ -centred standard Gaussian and  $D$ -truncated  $\bar{\mu}$ -centred standard Gaussian distributions, where  $\bar{\mu}$  is a position vector and  $D$  is a pragmatically chosen subset of  $R^n$ .

The relative efficiency of different choices of the sampling

distribution from the class is studied by way of examples for probability integration in particular. In addition, the same integrals are formulated in different variable representations by the substitution method before the directional Monte Carlo integration is carried out.

Moreover, it is demonstrated how sensitivities of the integrals with respect to parameter variations or integration boundary variations can be obtained during the same Monte Carlo simulation primarily set up for obtaining the integral.

The novelty compared with previous reports on the topic of integration in the standard Gaussian space is the demonstration that the combination of simulation and numerical integration can be applied for general integrals without any significant change of efficiency.

DITLEVSEN, OVE og HENRIK O. MADSEN: Bærende Konstruktioners Sikkerhed. (\*Structural Reliability Methods. In Danish). SBI-rapport 211, 1990, 480 sider. /%/.

Bærende konstruktioners sikkerhed varetages i dag ved partialkoefficientnormer, der forudsætter "sædvanlige" konstruktioner underkastet "sædvanlig" statistisk analyse. Kan sædvanlig statistisk analyse med tilhørende formelle sikkerhedsregler uden anfægtelser erstattes af regneprogrammer for avanceret analyse? Hvad gør man, når konstruktionen er usædvanlig? Hvad med eksisterende konstruktioner? Bogen behandler den probabilistiske filosofi og metodik for sikkerhedsanalyse, og det klargøres, at også denne kræver normgivne regler. Ud over at være tænkt som lærebog henvender bogen sig til projekterende ingeniører og normskrivere.

\*Structural safety is in current practice most often ensured by partial coefficient codes (or similar types of codes) that are assumed to be valid with the provision that the structures are "usual", and that these structures are analysed by "usual" static analysis. Can usual static analysis with associated formal rules of safety assessment without trouble be replaced by computer pro-

grams for advanced analysis? What to do if the structure is unusual? What about existing structures? The book introduces the probabilistic philosophy and methodology for structural reliability analysis, and it is made clear that this type of analysis also requires code given rules. Besides being a text book for students, the book is addressed to designing engineers and code writers.

DITLEVSEN, O., se også HASOFER, A.M., O. DITLEVSEN OG R. OLESEN

DYRBYE, C: \*Time-Domain Dynamic Analysis of Structures Subjected to Seismic Actions. (Dynamisk analyse i tids-domænet af konstruktioner udsat for seismiske påvirkninger). Proc. 9 EAEE Congress, Moskva 1990, vol. 7-A, pp. 161-166.

\*The paper describes results of calculation of bending moments in a 3-storey frame subjected to different realisations of ground acceleration. There is a rather large scatter in the results, especially when the duration is short. In a realisation, a minor increase in the duration may give rise to a remarkable increase in the maximum response values, even if they have been constant for, say 10 seconds.

The results indicate that the number of simulated earthquakes should be selected such that responses corresponding to characteristic values could be introduced.

I artiklen beskrives resultater af beregninger af bøjningsmomenter i en 3-etages ramme udsat for forskellige realisationer af grundens accelerationer. Resultaterne viser ret stor spredning, især hvis varigheden er kort. Ved en realisation kan en mindre forøgelse af varigheden give anledning til en væsentlig øgning af maksimum responsværdier, selv om de eksempelvis har været konstante gennem 10 sekunder.

Resultaterne indikerer, at antallet af simulerede jordskælv bør vælges, så der kan bestemmes karakteristiske værdier af respon-

set.

FEDDERSEN, B: Jernbetonbjælkens bæreevne - rene og kombinerede påvirkninger. (\*Load-Bearing Capacity of Reinforced Concrete Beams - Pure and Combined Actions. In Danish). Afdelingen for Bærende Konstruktioner. Serie R, nr. 251, 1990. 259 s. Gratis. /Lic/.

Denne rapport beskæftiger sig med jernbetonbjælkens bæreevne under kombinerede snitkræfter.

Som teoretisk udgangspunkt anvendes teorien for idealplastiske materialer.

Indledningsvis berøres i rapporten grundlaget for anvendelse af plasticitetsteorien ved brudberegning af beton og jernbeton. Endvidere repeteres de generelle flydebetingelser og armeringsformler for isotropt armeret beton, da disse i udstrakt grad anvendes i den resterende del af rapporten.

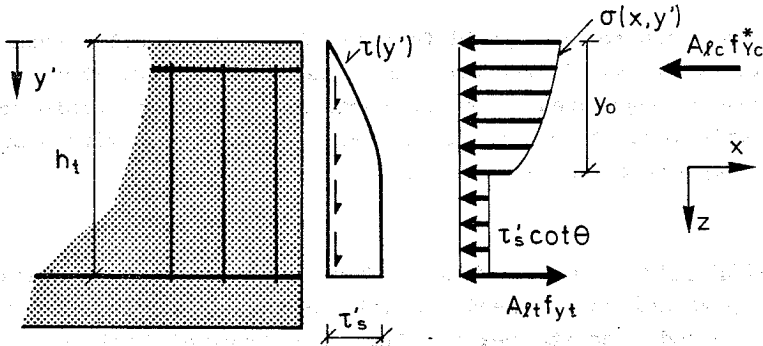
I de efterfølgende kapitler behandles ren bøjning, bøjning med normalkraft, forskydning, ren vridning, kombineret forskydning, vridning og bøjning og endelig i sidste kapitel berøres andre kombinationer af snitkræfterne.

I hvert kapitel opstilles for en bjælke med rektangulært tværsnit og en simpel snitkraftfordeling udtryk til bestemmelse af bæreevnen. Denne model udstrækkes derefter til vilkårlige tværsnit, armeringsudformninger og snitkraftvariationer. Hvert kapitel afsluttes med en dimensioneringsanvisning.

\*This report deals with the problem of calculation of the ultimate strength of beams loaded in combined actions.

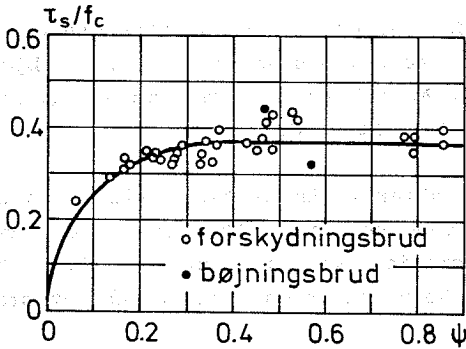
The theory of plasticity is used as a theoretical model.

By way of introduction the report is touching on the basis for using the theory of plasticity to solve ultimate strength problems within the field of concrete and reinforced concrete. Furthermore, the yield conditions and the reinforcement design formulas for isotropic reinforced concrete are dealt with, these formulas being used extensively in the remaining part of the report.



Tilladelig spændingsfordeling.

\*Permissible stress distribution.



Teori sammenlignet med forsøg.

\*Comparison between theory and tests.

Ref.: FEDDERSEN, BENT: Jernbetonbjælkens bæreevne - rene og kombinerede påvirkninger. (s. 14).



In the following chapters bending, bending with normal force, shear, torsion, combined torsion and bending, combined shear, torsion and bending and finally other combinations are dealt with.

In each chapter the yield formulas for a rectangular beam with simple variations in the section forces is examined. These formulas are extrapolated to other sections, types of reinforcement and variations of section forces. Each chapter ends with a summary of appropriate design rules.

FEDDERSEN, B: Jernbetonbjælkens Bæreevne - rene og kombinerede påvirkninger. Appendiks. (\*Load-Bearing Capacity of Reinforced Concrete beams - Pure and Combined Actions. Appendix. In Danish). Afdelingen for Bærende Konstruktioner. Serie R, nr. 252, 1990. 122 sider. Gratis.

Se B. Feddersen, Jernbetonbjælkens Bæreevne - rene og kombinerede påvirkninger. Serie R, nr. 251.

GANWEI, CHEN and M.P. NIELSEN: \*Shear Strength of Beams of High Strength Concrete. (Forskydningsstyrke af bjælker af højstyrkebeton). Afdelingen for Bærende Konstruktioner. Serie R, nr. 258, 1990. 16 s. Gratis.

\*Several groups of shear tests of beams with high strength concrete, which are found so far in the literature, have been compared with the theoretical solutions of beam shear. The agreement between tests and theory has been found to be satisfactory.

Adskillige grupper af forskydningsforsøg med bjælker udført af højstyrkebeton fundet i litteraturen er blevet sammenlignet med teoretiske løsninger. Overensstemmelse mellem forsøg og teori er fundet tilfredsstillende.

GANWEI, CHEN, M.P. NIELSEN and K. JANOS: \*Ultimate load carrying capacity of unbonded prestressed reinforced concrete beams. (Bæreevne af bjælker med ikke injicerede kabler). Afdelingen for Bærende Konstruktioner. Serie R, nr. 259, 1990. 25 s. Gratis.

\*In this report the plastic theory for reinforced concrete structures is investigated in relation to beams with unbonded tendons.

Concerning the bending resistance of beams with unbonded tendons, it has been found previously that the stress at failure in the prestressing bars is often lower than in corresponding beams with bonded tendons. This is confirmed by the plastic analysis and according to this, the phenomenon is due to the fact that the transition from the normally reinforced case to the overreinforced case takes place at a depth of the compression zone which is only about half the value of a corresponding beam with bonded tendons.

The shear resistance of beams with unbonded tendons can be treated by the plastic theory if in some cases the value of the effectiveness factor is put at a lower value than for beams with bonded tendons.

I denne afhandling undersøges anvendelsen af plasticitetsteorien på forspændte bjælker med ikke injicerede kabler.

Det er tidligere fundet, at man ved bøjningsundersøgelser ikke kan opnå udnyttelse af spændarmeringen i samme grad som ved forspændte bjælker med injicerede kabler. Dette bekræftes af den teoretiske undersøgelse efter den plasticitetsteoretiske model, og det skyldes, at trykzonehøjden ved overgang til overarmeret tværsnit kun er ca. halvt så stor som ved bøjning af bjælker med injicerede kabler.

Forskydningsbæreevnen af bjælker med ikke-injicerede kabler er ligeledes undersøgt på basis af plasticitetsteorien. Det viser sig, at de sædvanlige udtryk kan bruges, når blot den effektive plastiske trykstyrke undertiden regnes lidt lavere.

GANWEI, CHEN and M.P. NIELSEN: \*A short note on plastic shear solutions of reinforced concrete columns. (Notat vedr. plastisk forskydningsstyrke af søjler). Afdelingen for Bærende Konstruktioner. Serie R, nr. 260, 1990. 17 s. Gratis.

\*In this report solutions for the shear capacity of reinforced beams and columns subjected to bending, shear and compression are described. The solutions are based on the theory of plasticity.

I dette notat beskrives løsninger for forskydningsbæreevnen af bjælker og søjler af armeret beton påvirket til bøjning, forskydning og tryk. Løsningerne er baseret på plasticitetsteorien.

GANWEI, CHEN, se også OLSEN, DAVID HOLKMANN, CHEN GANWEI og M.P. NIELSEN

GLUVER, H.: \*One Step Markov Model for Extremes of Gaussian Processes. (Ét-trins Markov Model for Ekstremerne af Gaussiske Processer). Serie R, nr. 261, 1990. 40 s. Gratis.

\*A Markov model for simulation of the successive extremes of a stationary Gaussian process is developed. The model is based on an approximate joint density for the consecutive extremes, and its applicability is limited to processes with mono peak power spectra of limited bandwidth. The approximate joint density is calculated and discussed for a narrow-band and a broad-band process. An unexpected singular behaviour of the joint density for small ranges is observed and verified by analytical means. A simple discretization technique appropriate for practical application of the Markov model is discussed, and the simulation scheme is briefly outlined.

I rapporten udvikles en Markov model til simulering af følgen af ekstremer for en stationær gaussisk proces. Grundlaget for modellen er en approximation til den to-dimensionelle sandsynligheds-

tæthed af 70 på hinanden følgende ekstremer. Den introducerede approximation begrænser modellen til processer med smalbåndet frekvensindhold. Den approximative tæthed beregnes og diskuteres for en smalbåndet og en bredbåndet proces. En uventet singularitet af tætheden for små afstande imellem 70 følgende ekstremer observeres og kan verificeres analytisk. Der foreslås en diskretisering af modellen til praktiske formål, og simulering med den udviklede model gennemgås.

GLUVER, H., se også DITLEVSEN, OVE, R.E. MELCHERS og H. GLUVER

HASOFER, A.M., O. DITLEVSEN and R. OLESEN,: \*Vector outcrossing probabilities by Monte Carlo. Probabilistic Engineering Mechanics, Vol. 5, No. 3, 1990, pp. 122-128. (Reprints available).

\*An exact method for calculating the probability that a vector-valued Gaussian stationary process will cross out of a safe set in a given time, is presented. It is based on representing the process by a random trigonometric polynomial and then calculating the probability by directional simulation. Exact bounds for the error can be calculated, giving a predetermined accuracy. A numerical example relating to the response of a structure to wind excitation is given.

JANOS, se GANWEI, CHEN, M.P. NIELSEN og K. JANOS

JOHANNESSEN, JOHANNES MORSING, se RIBERHOLT, H. og JOHANNES MORSING JOHANNESSEN

JØNSSON, JEPPE: \*Recursive Finite Elements for Buckling of Thin-Walled Beams. (Rekursiv finite elementmetode for stabilitet af tyndvæggede bjælker). Afdelingen for Bærende Konstruktioner. Serie R, nr. 263, 1990. 204 s. Gratis. /Lic./.

\*The methods of fabrication, design and analysis of thin-walled beams are briefly described in the introduction.

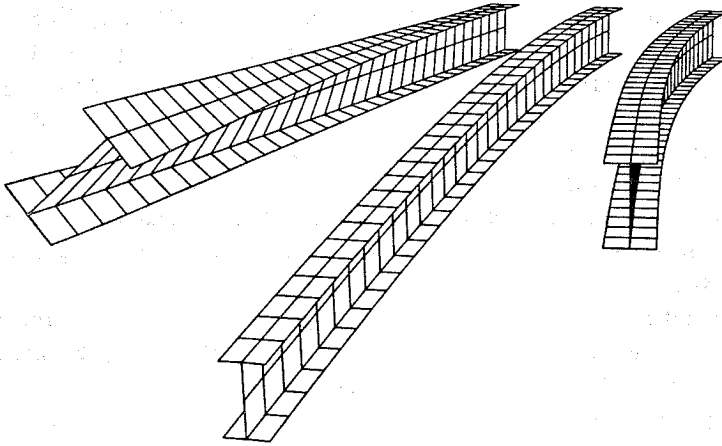
A continuum mechanical description, by use of variational principles, leads to the initial stress problem of buckling and to the treatment of asymptotic postbuckling.

The theory of plates and finite plate elements is treated and problems of plate elements are discussed. By use of variational principles the treatment leads to the formulation of a new hybrid displacement element with corrected curvatures and boundary rotations. The corrected boundary rotations are compatible between elements and the curvatures are improved by removing high order curvature terms.

For structures consisting of identical repetitive substructures a recursive substructuring technique, which takes advantage of the simple repetition, is described. The structural problem is solved by a sequence of recursive steps, in which the problem is transformed into a similar problem involving half the number of identical substructures. The computational work involved in factorisation therefore only grows logarithmically with an increasing number of substructures. For vector problems the efficiency of recursive substructuring is improved by decoupling the degrees of freedom of the substructure into symmetric and antimetric degrees of freedom.

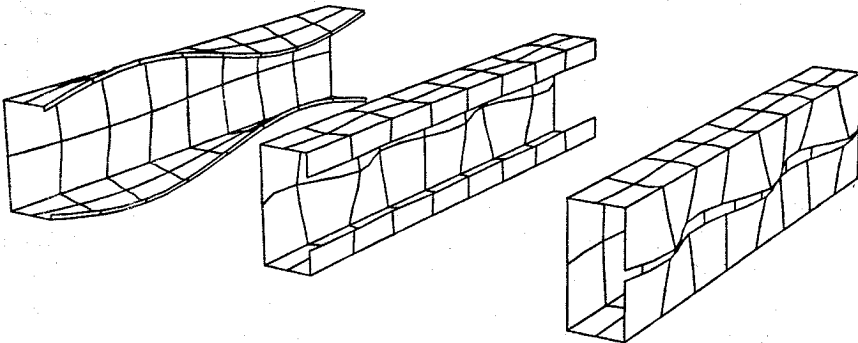
Use of the improved recursive substructuring technique and the developed hybrid displacement element in the finite element modelling of thin-walled beams leads to an efficient method of analysis. Examples of global and local distortional buckling are treated, and results show good agreement with established theory.

Fabrikation, design og analyse af tyndvæggede bjælker beskrives kort i indledningen.



Bulingsformer svarende til bøjning og vridning.

\*Flexural and torsional buckling modes.



Bulingsformer med tværsnitsdeformationer for U-bjælker.

\*Distortional buckling modes for channels.

Ref.: JØNSSON, JEPPE: Recursive finite elements for buckling of thin-walled beams. (s. 20).

Ved brug af variationsprincipper gives en kontinuummekanisk beskrivelse, som fører til stabilitetsteoriens initialspændingsproblem og til en behandling af asymptotisk efterbulingsteori.

Teorien for plader og finite pladeelementer behandles, og problemer vedrørende pladeelementer diskuteres. Ved brug af variationsprincipper formuleres et nyt hybridt flytningselement med korrigerede krumninger og rotationer på randen. De korrigerede rotationer på randen medfører kompatibilitet elementerne imellem. Krumningerne er korrigerede ved at bortfiltrere krumninger af højere orden.

For konstruktioner, der består af gentagne identiske substrukturer, kan man anvende en rekursiv substruktureringsteknik, som udnytter den simple gentagelse. Det strukturelle problem løses ved brug af en serie rekursive trin. I hvert trin transformeres problemet over i et nyt, som kun indeholder halvt så mange identiske substrukturer. Mængden af beregninger, der skal udføres ved løsningen, vokser derfor kun logaritmisk med antallet af substrukturer. For vektorproblemer øges effektiviteten af rekursiv substrukturering ved at dekoble substrukturernes frihedsgrader i symmetriske og antimetriske frihedsgrader.

Ved at bruge rekursiv substrukturering og det udviklede hybride flytningselement til finite elementmodellering af tyndvæggede bjælker opnås en effektiv analysemetode. Eksempler på global og lokal stabilitetssvigt behandles, og de fundne resultater er i god overensstemmelse med eksisterende teori.

KARLSHØJ, J.: Brug af systemplanlægningsværktøjer i byggeteknisk sammenhæng - med udgangspunkt i IDEF-metoderne. (\*Application of system planning for the design of structures based on the IDEF-methodology. In Danish). Afdelingen for Bærende Konstruktioner. Serie I, nr. 99, 1990. 51 s.

Rapporten giver en kort oversigt over edb-anvendelserne inden for byggesektoren, og beskriver behovet for at integrere edb-anvendelsen yderligere. Integrationen vil medføre et behov for systemplanlægningsværktøjer eller en anden form for struktureret analyse.

se.

Integrationen af de byggetekniske data er vanskelig, da datamængderne er store og med komplekse sammenhænge. Anvendelse af systemplanlægningsværktøjer vil kunne skaffe det fornødne overblik, og i rapporten beskrives IDEF-metoderne som et eksempel på et sådan værktøj.

\*The report gives a short overview of the application of computers within the building sector, and describes the need for integration between different software applications. The integration demands use of tools for system planning or some sort of structured analysis.

Integration of the systems are difficult due to the very large amount of data with complex internal relations. Application of system planning will create a better overview, and the report describes the IDEF-methodology as an example of a tool for system planning.

KRENCHER, H. og H. STANG: Cementbaserede Kompositmaterialer. (\*Cementbased Composite Materials. In Danish). Afdelingen for Bærende Konstruktioner. Serie I, nr. 97, 1990. 5 s.+ appendiks 8 s.

Nærværende skrift er en kort introduktion til og status for forskning inden for fiberarmerede cementbaserede kompositmaterialer og andre højteknologiske cement- og betonmaterialer på Afdelingen for Bærende Konstruktioner, Danmarks Tekniske Højskole. Følgende emner behandles: baggrund for udvikling af nye cementbaserede materialer, hvorledes øges skøre materials brudforlængelse, praktiske anvendelser, fibercement-membraner, status.

\*The present paper is a short introduction to and status for the research in fibre reinforced cementbased composite materials and other high tech. cements and concretes carried out at the Department of Structural Engineering, Technical University of Denmark. The following subjects are treated: background for the develop-



ment of new cementbased materials, how is it possible to increase the ultimate tensile elongation of brittle materials, practical applications, fibre reinforced cement membranes, status.

KRENK, STEEN and LARS DAMKILDE: \*Models of Thin-Walled Beam Connections. Department of Building Technology and Structural Engineering, The University of Aalborg, Denmark, Engineering Mechanics Papers, R9022, August 1990, 13 pp., presented at the IUTAM Symposium on Contact Loading and Local Effects in Thin-Walled Plated and Shell Structures, Prague, September 4-7, 1990. /%/.

\*The paper presents the basic ideas for a simple model for connections between thin-walled beams. The coupling between warping and cross-section distortion at joints is included in a simple theory. The continuity of the joined flanges and the local character of the cross-section distortion permit the distortion deformation to be expressed in terms of the warping parameters of the two beams at the joint. Comparisons have been made with detailed three-dimensional finite element calculations for some connection types, and the results indicate high accuracy. The work has later been extended in a more general way to account more accurately for the different stiffness contributions and connection types, see the following summary of paper R9038.

KRENK, STEEN and LARS DAMKILDE: \*Warping of Joints in I-beam Assemblages. Department of Building Technology and Structural Engineering, The University of Aalborg, Denmark, Engineering Mechanics Papers, R9038, October 1990, 26 pp. /%/.

\*A simple theory is developed for the coupled warping and cross-section distortion at joints between thin-walled I-beams. Continuity of the joined flanges and the local character of the cross-section distortion permit the distortion deformation to be expressed in terms of the warping parameters of the two beams at

the joint. Four types of joints are treated. The unstiffened joint has two independent warping parameters, the two partially stiffened joints each have a single warping parameter, while the fully stiffened joint prevents warping. The distortion mode acts as a local spring stiffness. The formulation is fully compatible with classical thin-walled beam theory, and detailed three-dimensional finite element analyses demonstrate high accuracy of the theory.

LI, Z., se STANG, H., Z. LI og S.P. SHAH

MADSEN, HENRIK O., se DITLEVSEN, OVE og HENRIK O. MADSEN

MELCHERS, R.E., se DITLEVSEN, OVE, R.E. MELCHERS og H. GLUVER

MOBASHER, B., H. STANG and S. P. SHAH: \*Microcracking in Fiber Reinforced Concrete. (Mikrorevner i Fiberarmeret Beton). Cement and Concrete Research, Vol. 20, No. 5, pp. 665-676, 1990.

\*Micromechanisms of matrix fracture in Portland cement based fiber composites are studied by means of quantitative image analysis and acoustic emission techniques. An experimental investigation has been conducted with different volume concentrations of polypropylene fibers. Uniaxial tensile specimens were loaded under constant strain rate and the acoustic emission response was monitored. Thin sectioned epoxy-dye impregnated samples were also prepared from specimens loaded to specific strain levels. Fluorescence microscopy was used to quantitatively examine the thin section for crack density, crack length, and crack spacing.

Mikromekanismer forbundet med matrixrevneudbredelse i Portland cementbaserede fiberkompositter studeres vha. kvantitativ billedanalyse og akustisk emissions teknikker. En eksperimentel undersøgelse er udført med polypropylen fibre i forskellige volumen-

koncentrationer. Prøvelegemer påvirket til en-akset træk belastes med konstant tøjningshastighed, og den akustiske emission registreres. Tyndslib blev fremstillet af fluorescerende epoxy-impregnerede prøvelegemer, som var belastet til forudbestemte tøjningsniveauer. Fluorescensmikroskopi blev benyttet til at kvantificere revnedensiteten, revnelængden og revneafstanden i de betragtede prøvelegemer.

MOBASHER, S., se også STANG, H., B. MOBASHER og S.P. SHAH

NIELSEN, LEIF OTTO: FEM3-prototype på problemgenerelt h-p FEM-program. (\*FEM3-prototype on problem general h-p FEM-program. In Danish). Afdelingen for Bærende Konstruktioner. Serie R, nr. 264, 1990, 35 s. Gratis.

Grundlaget for og anvendelsen af et h-p elementmetodeprogram med problemgeneralitet og global adaptivitet er beskrevet.

\*The basis and the use of a h-p finite element program with problem generality and global adaptivity is described.

NIELSEN, L.O., se også ASKEGAARD, V., L.O. NIELSEN og S. WICHE

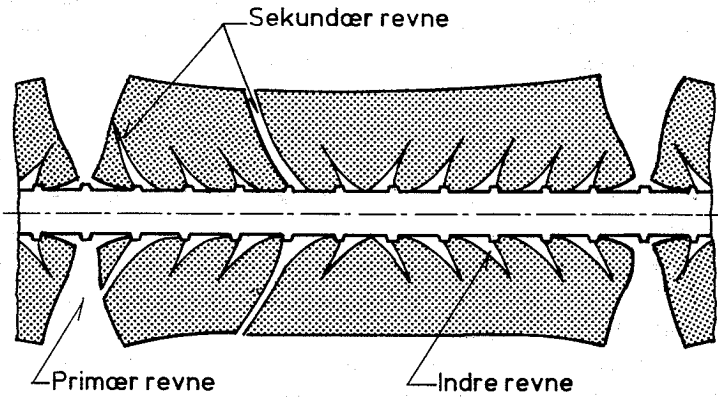
NIELSEN, M.P., se GANWEI, CHEN og M.P. NIELSEN

NIELSEN, M.P., se GANWEI, CHEN, M.P. NIELSEN og K. JANOS

NIELSEN, M.P., se OLSEN, DAVID HOLKMANN, CHEN GANWEI og M.P. NIELSEN

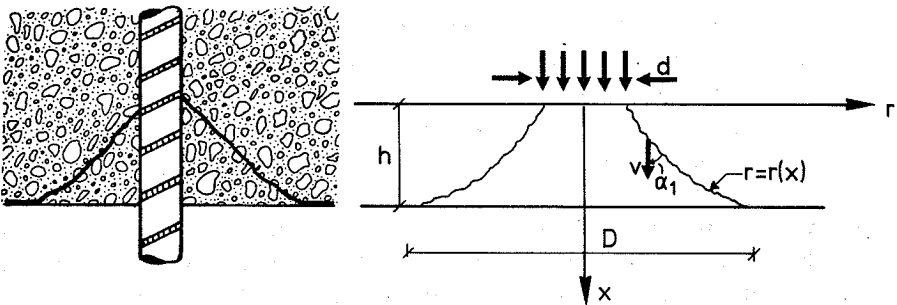
NIELSEN, M.P., se OLSEN, DAVID HOLKMANN og M.P. NIELSEN

OLESEN, R., se HASOFER, A.M., O. DITLEVSEN og R. OLESEN



Primære og sekundære revner.

\*Primary and secondary cracks.



Det revnede betonlegeme med brudfiguren  $r(x)$ .

\*The cracked concrete body with the rupture pattern  $r(x)$ .

Ref.: OLSEN, DAVID HOLKMANN og M.P. NIELSEN: Ny teori til bestemmelse af revneafstande og revnevidder i betonkonstruktioner.

(s. 28).

OLSEN, DAVID HOLKMANN og M.P. NIELSEN: Ny teori til bestemmelse af revneafstande og revnevidder i betonkonstruktioner. (\*New Theory to Determine Crack Spacing and Crack Width in Concrete. In Danish). Afdelingen for Bærende Konstruktioner. Serie R, nr. 254, 1990. 145 s. Gratis.

Med udgangspunkt i de revneforhold der optræder i armeret beton udvikles der en generel teori til bestemmelse af revneudviklingen både i det tidlige og i det fuldt udviklede revnestadium.

Med det tidlige revnestadium menes det stadium, hvor armeret beton bliver udsat for små tøjninger, f.eks. som følge af svind, krybning eller temperaturpåvirkninger (S.K.T.-påvirkninger).

De teoretiske overvejelser resulterer i et sæt formler til beregning af middelrevneafstanden og middelrevnevidden som funktion af enten spændingerne eller tøjningerne. Formlerne er gyldige for betonkonstruktioner udsat for enakset træk og bøjning. Endvidere er der foretaget en statistisk undersøgelse af revnefordelingen med henblik på bestemmelse af den maksimale revnevidde.

Resultaterne af teoriens beregninger på et stort antal forsøgsbjælker fra litteraturen viser en god overensstemmelse med de aktuelle forsøgsværdier.

\*A theory of cracking of reinforced concrete is developed to describe the crack development from the very early stage to the fully developed stage.

Cracking of reinforced concrete in the early stage is usually caused by shrinkage, creep or temperature loading.

A set of formulas to calculate the mean crack spacing and the mean crack width are presented as a function of either the stress or the strain. The formulas are valid for reinforced concrete beams subjected to uniaxial tension and bending. Furthermore, a statistical investigation is carried out concerning crack distribution in order to determine the maximum crack width.

The theoretical predictions of the mean crack width are compared with a great number of experimental results from the literature, and good agreement is obtained.

OLSEN, DAVID HOLKMANN, CHEN GANWEI and M.P. NIELSEN: \*Plastic shear solutions of prestressed hollow core concrete slabs. (Forskydningsbæreevnen af forspændte huldækelementer). Afdelingen for Bærende Konstruktioner. Serie R, nr. 257, 1990. 17 s. Gratis.

\*In this report solutions for the shear capacity of prestressed hollow core slabs of concrete is presented.

The solutions are based on the theory of plasticity.

I denne afhandling beskrives løsninger for forskydningsbæreevnen af forspændte huldækelementer.

Løsningerne er baseret på plasticitetsteorien.

RESUMEOVERSIGT 1989: "Summaries of Papers 1989". Afdelingen for Bærende Konstruktioner. Serie R, nr. 256, 1990. 60 s. Gratis.

Resumeer af 26 videnskabelige publikationer m.v., af 2 rapporter over rekvirerede undersøgelser og af 13 eksamensarbejder.

\*Summaries in Danish and English of 26 scientific papers etc., of 2 reports on contract work, and of 13 final year projects.

RIBERHOLT, H. og JOHANNES MORSING JOHANNESSEN: Skarpe rammehjørner af limtræ. Arbejdsforslag fra Nordisk Gruppe. (\*Sharp frame corners in glulam structures. Working proposals from a Nordic Group. In Danish). Afdelingen for Bærende Konstruktioner. Serie I, nr. 98, 1990. 48 s.

Dette notat indeholder de forslag, som der medio 1990 arbejdes med i et nordisk samarbejde mellem Norge, Sverige og Danmark. Projektet er støttet af Nordisk Industrifond og de tre landes limtræfabrikantforeninger.

Det er projektets mål at nå frem til løsninger på rammehjørner,

der har samme styrke som det limtræ, der forbindes i hjørnerne. Endvidere tilstræbes, at visse af hjørnerne kan udføres på byggepladsen.

\*This booklet describes the proposals considered by a cooperation group from Norway, Sweden and Denmark. The project is supported by a grant from Nordisk Industrifond and the associations of glulam manufacturers in the three countries.

The purpose of the project is to develop sharp frame corners which have the same strength as the glulam connected. Further, it is the intention that some of the frame corners can be assembled on site.

SHAH, S.P., se MOBASHER, B., H. STANG og S.P. SHAH

SHAH, S.P., se STANG, H., Z. LI og S.P. SHAH

SHAH, S.P., se STANG, H., B. MOBASHER og S.P. SHAH

SHAH, S.P., se STANG, H. og S.P. SHAH

STANG, H.: \*Microcrack Characterization In FRC-materials using Digital Image Analysis. (Karakterisation af Mikrorevner i Fiberarmerede Cementbaserede Materialer vha. Digital Billedanalyse). In: Proceedings of the 9th International Conference on Experimental Mechanics, 20-24 August, 1990, Copenhagen, Denmark. Department of Structural Engineering, Technical University of Denmark, 1990, pp. 1482-1493.

\*A quantitative procedure for experimental characterization of microcracking patterns in fibre reinforced materials is described. The description covers an experimental procedure consisting of specimen preparation, testing, vacuum impregnation with fluorescent epoxy, thin sectioning, microscopy, and digital image processing and analysis with special emphasis on the digital im-

age processing and analysis part.

An automatic algorithm is described which makes it possible to separate the microcracks from other features - such as pores - which show up in the image acquired from the microscope. Also an image analysis procedure is described which converts the processed digital image to information describing the microcrack density, the microcrack orientation, and the total crack surface. The description of the algorithms is followed by an analysis of the possible errors introduced by the system and the algorithms. Finally, results are reported showing the microcrack development as function of the applied strain in a specific FRC- material.

En kvantitativ procedure til eksperimentel karakterisation af mikrorevner i fiberarmerede materialer beskrives. Beskrivelsen dækker en eksperimentel procedure, som består af fremstilling af prøvelegemer, prøvning, vakuum-imprægnering med fluorescerende epoxy, fremstilling af tyndslib, mikroskopering og digital billedbehandling. Der er lagt speciel vægt på beskrivelsen af den digitale billedbehandling.

En automatisk algoritme beskrives, som gør det muligt at separere mikrorevner fra andre fænomener - f.eks. porer - som dukker op i de digitale billeder. Ligeledes beskrives en billedbehandlingsprocedure, som konverterer det færdigbehandlede digitale billede til information om mikrorevnedensiteten, mikrorevneorienteringen og den totale revneoverflade. Endvidere diskuteres fejlkilderne i de beskrevne analysemetoder.

Til slut rapporteres resultater, som viser mikrorevneudviklingen som funktion af påført tøjning i et specifikt fiberarmeret cementbaseret kompositmateriale.



STANG, H., Z. LI og S.P. SHAH: \*Pullout Problem: Stress versus Fracture Mechanical Approach. (Fiberudtråks-Problemet: Brudmekanisk kontra Spændingsmekanisk Analyse). J. Eng. Mech., Vol. 116, No. 10, pp. 2136-2150, 1990. (Reprints available).

\*The pullout of a single fiber from a brittle matrix is widely recognized as one of the basic tests to be performed to provide information about the expected behavior of a given fiber-reinforced brittle matrix composite material. Two analytical approaches to the interfacial debonding process connected to the fiber pullout problem can be made:

(1) The stress approach where the criterion for growth of the debonded fiber/matrix interface is expressed in terms of interfacial stress, and

(2) The fracture mechanical approach where the criterion for interfacial debonding is expressed in terms of energy equilibrium. The paper investigates the two approaches and compares the debonding-load versus crack-length relationships predicted by the two approaches, and differences in the parametric dependency are discussed. The results predicted by the fracture mechanical approach are compared with available experimental results.

Udtræk af en enkelt fiber indstøbt i en sprød matrix betragtes almindeligvis som et grundlæggende forsøg, der udføres med henblik på bestemmelse af et givet fiberarmeret sprødmatrix-kompositmaterials mekaniske opførsel. To analytiske fremgangsmåder kan anvendes til analyse af den fiber/matrix adskilleelsesproces, som er forbundet med fiberudtræk: (1) Den spændingsmekaniske fremgangsmåde, som udtrykker et kriterium for vækst af fiber/matrixadskillelsen ved skillefladespændinger, og (2) Den revnemekaniske fremgangsmåde, som udtrykker et kriterium for vækst af fiber/matrixskillefladen ved en energiligevægt. Artiklen undersøger de to fremgangsmåder og sammenligner de udtrækskraft/skilleflade-revnelængde-relationer, som de to fremgangsmåder forudsiger. Endvidere undersøges forskelle i de parametriske sammenhænge. Resultaterne forudsagt af den revnemekaniske fremgangsmåde sammenlig-

nes med tilgængelige eksperimentelle resultater.

STANG, H., B. MOBASHER and S.P. SHAH: \*Quantitative Damage Characterization in Polypropylene Fiber Reinforced Concrete. (Kvantitativ Skadeskarakterisering i Polypropylen-Fiberarmeret Beton). Cement and Concrete Research, Vol. 20, No. 4, pp. 540-558, 1990.

\*An automatic algorithm for microcrack characterization in cementbased materials is presented. The algorithm is currently implemented on a digital image analysis system at the Department of Civil Engineering at Northwestern University. The algorithm and test procedure are described and various error sources are described and quantified. The algorithm is applied to crack images obtained from a polypropylene-FRC material, and the relationship between specific crack surface and strain as well as the relationship between an orientation measure and strain are reported and discussed. The obtained damage evolution relationships are compared to the observed stress/strain behavior of the pp-FRC material.

En automatisk algoritme til kvantitativ karakterisering af mikrorevner i cementbaserede materialer præsenteres. Algoritmen er for tiden implementeret på et digitalt billedanalyse-system på Department of Civil Engineering på Northwestern University, Evanston, Illinois, USA. Algoritmen og testproceduren beskrives og forskellige fejlkilder identificeres og kvantificeres. Algoritmen anvendes på revnebilleder fra et polypropylen-fiberarmeret cementbaseret materiale, og sammenhængen mellem specifik revneoverflade og tøjning såvel som sammenhængen mellem et orienteringsmål og tøjningen rapporteres og diskuteres. Den målte skadesudvikling sammenlignes med den observerede spændings/tøjningsrelation for det pp-fiberarmede materiale.

STANG, H. and S.P. SHAH: \*Characterization of Interfacial Bond in FRC-Materials. (Karakterisation af Binding i Skilleflader i Fiberarmerede Cementbaserede Materialer). In: Toughening Mechanisms in Quasi-Brittle Materials. NATO-ARW Proceedings, Northwestern University, July 16-20, 1990. (Ed. S.P. Shah) Northwestern University 1990, pp. 529-548. (Reprints available).

\*A proper characterization of the fiber/matrix bond in fiber reinforced cementitious - FRC - composites is of great importance not only in the evaluation of the quality of a given fiber/matrix system. Different kinds of fiber/matrix debonding mechanisms are included in many models for the macroscopic mechanical behavior of FRC-materials, and the applicability of such models naturally depends on the availability of experimentally determined fiber/matrix bond parameters.

The present paper consists of a unified treatment of the fiber/matrix bond models proposed in the literature along with an evaluation of these models from an experimental and theoretical point of view. When dealing with perfectly bonded interfaces, basically two approaches are identified: the stress criterion and the fracture mechanical criterion approach. The results of these two approaches are examined and discussed. Finally, some new research directions are proposed.

Karakterisation af bindingen mellem fiber og matrix i fiberarmerede cementbaserede kompositmaterialer er af stor betydning ikke bare mht. evaluering af kvaliteten af et givet fiber/matrix system. Forskellige mekanismer for bindingen mellem fiber og matrix er inkluderet i mange modeller for den makroskopiske mekaniske opførsel af fiberarmerede cementbaserede materialer, og anvendeligheden af sådanne modeller afhænger naturligvis af, hvorvidt de indgående parametre kan bestemmes uafhængigt af modellen.

Nærværende artikel består af en ensartet beskrivelse og evaluering af en stor del af de modeller for fiber/matrix-binding, som kan findes beskrevet i litteraturen. Modeller for perfekt binding mellem fiber og matrix inddeles i to hovedgrupper: den gruppe,

som anvender et spændingsbaseret styrkekriterium, og den gruppe, som anvender et revnemekanisk baseret styrkekriterium. Disse to hovedgrupper undersøges og diskuteres. Til slut foreslås nye forskningsemner inden for området binding mellem fiber og matrix i cementbaserede materialer.

STANG, H., M. TONNESEN og E. BYSKOV: \*CDM Based Constitutive Equations for High Strength and Fiber Reinforced Concrete. (Konstitutive Ligninger for Højstyrkebeton og Fiberarmeret Beton Baseret på Skadesmekanik). In: Micromechanics of Failure of Quasi-Brittle Materials. Eds. S.P. Shah, S.E. Swartz, and M.L. Wang. Elsevier Applied Science, 1990, pp. 589-599.

\*So called Continuum Damage Mechanics models have - during the last decade or two - become very popular in the field of constitutive modelling of quasi-brittle inhomogeneous materials such as rock and concrete.

The present paper discusses - apart from the basic characteristics of the CDM model used here - the ability of the model to predict changes in constitutive behavior which is related to changes in the microstructure. As case studies fiber reinforced concrete and high strength concrete are considered. The microstructural characteristics of these concretes are discussed as well as the constitutive modelling in relation to the characteristics.

Theoretical predictions of material behavior in compression is compared to experimental results.

Såkaldt skadesmekanik er gennem de sidste et til to tiår blevet et særdeles populært værktøj til opbygning af konstitutive modeller for semi-sprøde inhomogene materialer såsom sten og beton.

Nærværende artikel diskuterer - ud over de fundamentale egenskaber ved den benyttede skadesmekanikmodel - modellens egnethed til forudsigelse af ændringer i konstitutive betingelser, som er relateret til ændringer i mikrostrukturen. Fiberarmeret beton og

højstyrkebeton undersøges som 'case studies'. De mikrostrukturelle karakteristika i disse materialer diskuteres såvel som den konstitutive modellering set i relation til disse karakteristika.

Afslutningsvis sammenlignes teoretiske forudsigelser af materialeopførsel i tryk med eksperimentelle resultater.

STANG, H., se også KRENCHER H. og H. STANG

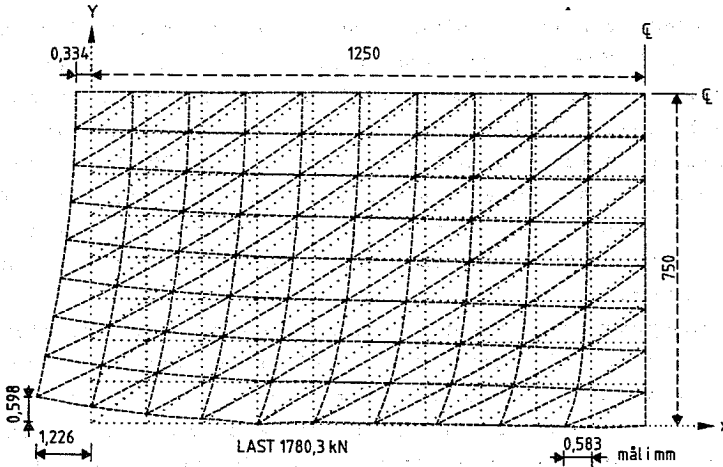
STANG, H., se også MOBASHER, B., H. STANG og S.P. SHAH

THOMSEN, BENTE DAHL: Undersøgelse af "Shear lag" i det elasto-plastiske stadium. (\*Investigation of shear lag in the elasto-plastic range. In Danish). Afdelingen for Bærende Konstruktioner, Serie R, nr. 250. 161 s. + appendiks 91 s. Gratis. /Lic./.

Den elasto-plastiske finite element (FEM)-beregning af spændingstilstanden i åbne kassedragere udnytter residual lastmetoden til løsning af den inkremental teoretiske beskrivelse af materialeopførslen under flydeprocessen. Den matematiske plasticitetsteori er her opbygget over Prandtl-Reuss konstitutive betingelser og Huber-Mises associerede flydefunktion. Under flydningen relateres den effektive spænding til den effektive tøjning ved hjælp af en modificeret Ramberg-Osgood relation og målte materialeparametre.

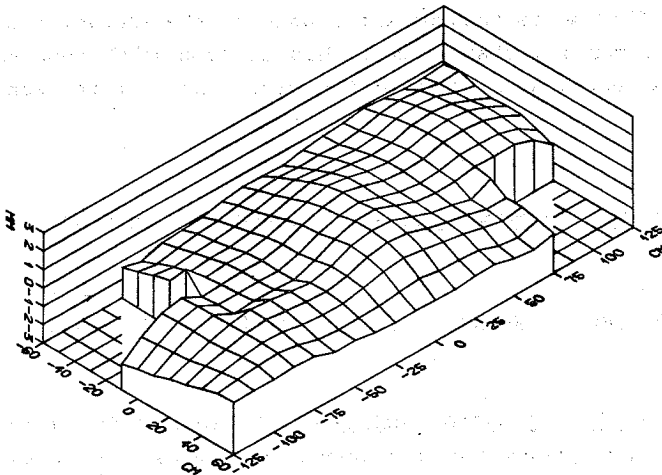
FEM-programmet er valideret ved sammenligning med observationer fra den eksperimentelle undersøgelse af seks ståldragere, med tre forskellige bredder, belastet med punktformige kræfter på kroppe. Omsætningen af tøjninger målt med strain gages rosetter til repræsentative spændinger er baseret på deformationsteorien. Testen tyder på, at visse fænomener ikke er beskrevet korrekt.

For de i denne undersøgelse behandlede dragere reduceres shear lag effekten i de brede flangeplader, indtil plastificeringen har nået flangemidten. Det er endvidere sandsynliggjort, at denne proces vil ophøre, i det øjeblik flange- eller kroppladens forskydningskapacitet er udtømt.



Deformationsfiguren for drager SL P2's flangeplade.

\*The flange deformation of the girder SL P2.



Initialudbøjning for drager SL P4.

\*Initial displacement of girder SL P4.

Ref.: THOMSEN, BENTE DAHL: Undersøgelse af "Shear lag" i det elasto-plastiske stadium. (s. 36).

\*The elasto-plastic finite element (FEM)-computation of the stress condition in open box girders uses the residual forces method for solving the incremental theoretical description of material behaviour during the flow process. The mathematical theory for plasticity is in this thesis based on Prandtl-Reuss constitutive equations and Huber-Mises associated yield function. The effective stress during plastic flow is related to the effective strain by a modified Ramberg-Osgood relation and measured material parameters.

The FEM-program is checked by comparison with observations from the experimental investigation of six steel girders, with three different widths, loaded with concentrated forces at the webs. The transformations of the strain signals from the strain gages rosettes to representative stresses are based on the deformation theory. The test indicates that the description of some phenomena is not correct.

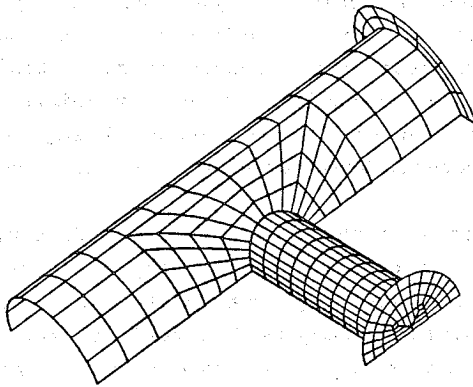
For the girders treated in this investigation, the shear lag effect in the wide flange plate is gradually reduced as the plastic flow moves towards the middle of the flange. Furthermore, it is rendered probable that this process will come to an end when the shearing capacity of the wide flange or the web plate is reached.

TONNESEN, M., se STANG, H., M. TONNESEN og E. BYSKOV

WICHE, S., se ASKEGAARD, V., L.O. NIELSEN og S. WICHE

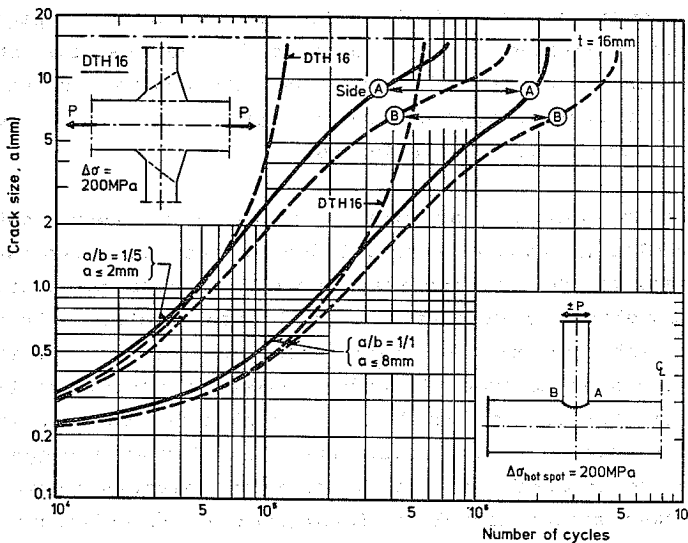
YAMADA, K. and HENNING AGERSKOV: \*Fatigue life prediction of welded joints using fracture mechanics. (Brudmekanisk bestemmelse af udmattelseslevetiden af svejste samlinger). Afdelingen for Bærende Konstruktioner. Serie R, nr. 255, 1990. 54 s. Gratis.

\*Fracture mechanics approach has proved to be one of the most



Elementinddeling til beregning af rørknude prøvelegeme.

\*Finite element mesh for analysis of tubular joint test specimen.



Vækst i udmattelsesrevner i rørsamling og i trækforbindelse.

\*Fatigue crack growth behavior of tubular joint and tensile specimen.

Ref.: YAMADA, K. and H. AGERSKOV: Fatigue life prediction of welded joints using fracture mechanics. (s. 38).



promising techniques to predict fatigue crack propagation life of welded steel structures. This technique is in the present investigation used to analyse welded specimens subjected to constant and variable tension/compression and tubular joints subjected to constant amplitude in-plane bending loads, being tested at the Department of Structural Engineering of the Technical University of Denmark.

The report consists of three parts. First, fracture mechanics approach to fatigue crack propagation analysis is summarized and a description of the computer program VARFAT is given. This program makes it possible to compute the fatigue crack propagation life for variable amplitude stress cycles. Next, the program is used to analyse plate elements with welded attachments subjected to constant and variable amplitude stress cycles. The effect of the stress spectrum on the fatigue life in the long life region is also discussed. Finally, the program is applied to the tubular joints to determine analytically the fatigue crack propagation life. Although various assumptions made in the analysis of the tubular joints are still to be clarified, the analysis shows that the fracture mechanics approach can be applied to verify the fatigue behaviour of the tubular joints.

Brudmekanik har vist sig at være en af de mest lovende metoder til bestemmelse af udmattelseslevetiden af svejste stålkonstruktioner. Denne metode anvendes i den aktuelle undersøgelse til levetidsbestemmelse for svejste konstruktionselementer, udsat for spændingsvariationer med konstant eller varierende amplitude. Endvidere anvendes metoden til undersøgelse af rørknudesamlinger udsat for lastvariationer med konstant amplitude, og hvor lasten resulterer i bøjning i konstruktionens plan. Der er i begge tilfælde tale om konstruktionssamlinger, hvor udmattelseslevetiden også bestemmes eksperimentelt i forsøgsserier på Afdelingen for Bærende Konstruktioner, DTH.

Rapporten består af tre dele. Først er der givet en oversigt over brudmekanikkens anvendelse til levetidsbestemmelse, samt en beskrivelse af EDB-programmet VARFAT. Med dette program kan udmattelseslevetiden bestemmes for konstruktioner udsat for last

med varierende amplitude. Dernæst anvendes programmet til levetidsbestemmelse for pladeelementer med påsvejste tværafstivninger ved såvel konstant som varierende lastamplitude. Specielt er undersøgt indflydelsen fra spændingsspektrets form på udmattelseslevetiden ved et stort antal påvirkninger. Endelig anvendes programmet til en analytisk bestemmelse af udmattelseslevetiden for svejste rørknudesamlinger. Selvom der fortsat er forudsætninger for disse beregninger, som ønskes undersøgt nøjere i det fortsatte arbejde, viser de gennemførte undersøgelser, at brudmekanikken også er en anvendelig metode til bestemmelse af udmattelseslevetiden for rørknudesamlinger.

YAMADA, K and H. AGERSKOV,: \*Fatigue Analysis of Plate Elements with Groove Welded Attachments using Fracture Mechanics. (Brudmekanisk bestemmelse af udmattelseslevetiden af plader med påsvejste tværafstivninger). International Institute of Welding, Annual Assembly, Montreal, July, 1990, IIW Doc. XIII-1365-90, 18 pp. (Reprints available).

\*The fatigue life of plate elements with groove welded attachments is studied in the present investigation. This project is a part of a larger research program, in which the fatigue life of offshore structures is investigated under various types of spectrum loading and under various corrosion conditions.

In the present investigation, fracture mechanics approach is used to determine the fatigue crack propagation life under both constant and variable amplitude stress variations, and the analytical results are compared with test results. The fracture mechanics analysis makes possible an evaluation of the fatigue crack propagation with different weld toe geometries, possible thickness effects, and the possible differences in fatigue life between the test specimens of the present investigation and similar specimens with fillet welded attachments.

For the fatigue crack propagation analysis with variable amplitude stress variations, the stress spectra are derived from two-parameter Weibull distributions. In the analysis, special atten-

tion is paid to the effect from a large number of cycles with low stress range levels on the fatigue crack propagation life.

AARKROG, PETER: \*A Computer Program for Servo Controlled Fatigue Testing. Documentation and User Guide. (Et Computerprogram til Servostyret Udmattelsesprøvning. Dokumentation og Brugervejledning). Afdelingen for Bærende Konstruktioner. Serie R, nr. 253, 1990. 68 s. Gratis.

\*A principle of controlling servo systems for fatigue testing at frequencies around 100 load cycles pr. second is presented. The load history is generated using a Markov model which enables the use of stochastic load spectra for the testing. The principle has been implemented on a micro computer, and results of experiments carried out on a servo controlled fatigue testing equipment is presented. Documentation as well as a user guide to the program is given.

Der præsenteres en metode til at kontrollere servostyrede udmattelsesopstillinger, der kan benyttes til prøvning ved ca. 100 påvirkninger pr. sekund. Lastforløbet genereres ved brug af en Markov model, hvilket muliggør brug af stokastiske lastspektre. Metoden er implementeret på en microcomputer, og resultaterne af en afprøvning på en servostyret hydraulisk presse præsenteres. Rapporten indeholder desuden dokumentation og vejledning til det opbyggede program.

AARKROG, PETER: Brugervejledning til Tantalus. Et Computerprogram til Servostyret Udmattelsesprøvning. (\*User Guide to Tantalus. A Computer Program for Servo Controlled Fatigue Testing. In Danish). Afdelingen for Bærende Konstruktioner. Serie I, nr. 95, 1990. 24 s.

Rapporten er en vejledning i brug af programmet Tantalus, der er udviklet til udmattelsesprøvning i servostyrede udmattelsesop-

stillinger, hvor den påførte last genereres ud fra en på forhånd beregnet Markov matrix. Rapporten indeholder en gennemgang af inddata til programmet, information under forsøgsafviklingen, en oversigt over fejlmeddelelser med tilhørende forklaring samt en omtale af resultatudskriften.

\*The report contains a guide to the use of the program Tantalus developed for fatigue testing in servo controlled test equipment. The applied load is generated using a Markov model which enables the use of stochastic load spectra. Input, information while running the test, an overview of error messages from the program, and an example of the output of results is given.

## REKVIREREDE UNDERSØGELSER

### \*Reports on contract work

Rapporten over en rekvireret undersøgelse er principielt rekvirentens ejendom, men dels kan der altid gives rent orienterende oplysninger om, hvad Afdelingen kan udføre af målinger på det pågældende felt ved henvendelse til den person, der er angivet under sagen, og dels er det muligt i visse sager at udlevere en fotokopi af rapporterne, dersom rekvirenten har givet sin tilladelse hertil.

\*A report on contract work is, in principle, the property of the client, but information on the types of measurement undertaken by the Department in the field in question can always be obtained by application to the person named under the project, and for certain projects, a photocopy of the reports can be supplied provided the client has given his consent to this.

I 1990 har Afdelingen gennemført forholdsvis få rekvirerede undersøgelser, herunder bl.a. afprøvning af en møllevingsektion, som beskrevet nedenfor. Se også Resuméoversigt 1987.

Dette forhold er i det væsentlige en følge af, at Afdelingens forsøgskapacitet i perioden i overvejende grad har været knyttet til meget omfattende aktiviteter inden for det materialeteknologiske udviklingsprogram under Teknologistyrelsen, bl.a. vedrørende Cementbaserede Kompositmaterialer og Højstyrkebeton.

\*During 1990 the Department only performed a rather small amount of contract work, among which a test on a wind turbine blade is described below (see also Summaries of Papers 1987).

This temporary reduction in contract work is mainly due to the fact that the experimental capacity of the Department during this period was utilized on extensive investigations under the Danish Materials Technology Development Program, such as Cementbased Composite Materials and High Strength Concrete.

Udmattelsesforsøg med Befæstigelse for Limtræsvinge. (\*Fatigue test on attachment for wind turbine blade made of glulam. In Danish). ABK, serie S nr. 9022.

Der er for DEFU udført forsøg med en vingebefæstigelse for en vindmøllevinge af en hul limtrassektion. Specielt samlingen bestående af 28 indlimede bolte mellem vingens limtræsdel og vingens ståldel ønskedes undersøgt. Der blev ikke efter  $100 \times 10^6$  pulsationer ved  $\pm 275$  kNm observeret udmattelsesbrud i samlingen. Rapporten vil foreligge i løbet af 1991.

Rekvirent: DEFU.

Yderligere oplysninger: Finn Johnsen.

\*A fatigue test has been carried out for DEFU on an attachment for a wind turbine blade made of a hollow section of glulam. Particular attention was paid to the connection between the glulam blade and the steel flange which connects the blade to the rotor shaft. The connection consisted of 28 bolts glued into the glulam.

It was found after  $100 \times 10^6$  pulsations at  $\pm 275$  kNm that fatigue failure did not occur in the connection.

Client: DEFU (Research Association of the Danish Electricity Supply Undertakings).

Further information: Finn Johnsen.

### 3. EKSAMENSPROJEKTER

#### \*Final year projects

Da disse afhandlinger kun findes i et enkelt eksemplar, må et nærmere studium af dem foregå på Afdelingens bibliotek efter forudgående aftale. Fotokopier af hele afhandlinger eller dele heraf kan leveres til en pris af kr. 1,00 pr. side.

Yderligere oplysninger om afhandlingernes indhold fås ved henvendelse til den under resumeet angivne lærer.

Anmodning om kopiering kan ske telefonisk på tlf. 42 88 35 11.

\*As there is normally only one copy of each of these theses, anyone wishing to study them in detail must do so at the Department's library according to a previous arrangement. Photocopies of entire theses or parts thereof can, however, be supplied at a price of D.kr. 1.00 per page. Orders for copies must be accompanied by a cheque for the amount in question.

Further information on the content of the theses can be obtained by application to the project leader indicated under the summary.



ASGEIRSSON, VILHJALMAR ARNI: Projektering af en sportshal. (\*Design of a sports hall. In Danish). Eksamensprojekt, Afdelingen for Bærende Konstruktioner, 1990, 90 s. + 60 s. app. Fotokopi, kr. 150,-.

Der er udført en projektering af en større sportshal, hvor de bærende konstruktioner i væg og tag er tænkt udført enten i stål eller træ.

Lærer: Hilmer Riberholt.

\*A large sports hall has been designed. The structures in the walls and the roof have been assumed to be of steel or timber based.

Project leader: Hilmer Riberholt.

BIRKELUND, PER og SVEN BØG HANSEN: Sammenligning af flerfags skråstagsbroer med forskellige kabelsystemer. (\*Analysis of Multispan Cable-Stayed Bridges. In Danish). Eksamensprojekt, Afdelingen for Bærende Konstruktioner, 1990, 165 s. + bilag. Fotokopi, kr. 165,-.

I forbindelse med nye store broprojekter, f.eks. en fast forbindelse fra Danmark til Tyskland over Fehmern Bælt, er det af stor interesse at undersøge flerfags skråstagsbroer. I projektet undersøges forskellige alternative udformninger af kabelsystemet, hvor der enten anvendes overlappende kabler eller ekstra kabler mellem pylonerne. Undersøgelserne omfatter både skråstagsbroer over 2 og 5 fag, og der undersøges forskellige former for midterpyloner. Analyserne er foretaget med elementprogrammet Pafec, og der er udviklet rutiner til behandling af egenvægtsbelastningen og dimensioneringen af de enkelte elementer. I forbindelse med behandling af broer over mange fag er der undersøgt forskellige tilnærmelsesmetoder til reduktion af beregningsomfanget. Alternativerne er sammenlignet på basis af materialeforbrug og stivhedsforhold.

Lærere: Lars Damkilde og N.J. Gimsing.

\*In connection with new, large bridges, e.g. a bridge between Denmark and Germany crossing the Fehmern Belt, it is of great interest to investigate multispan cable-stayed bridges. Different cable systems are examined based on either overlapping cables or extra cables connecting the pylons. The investigation includes both cable-stayed bridges over 2 or 5 spans and different designs of the pylons. The finite-element program Pafec has been used in the calculations, and different routines are developed for the gravity load and the code-checks for the elements. For bridges over many spans an approximate method has been examined, and thereby the amount of calculations has been reduced significantly. The different designs are compared based on the material costs and the stiffness of the bridge.

Project leaders: Lars Damkilde and N.J. Gimsing.

HANSEN, SVEN BØG, se BIRKELUND, PER og SVEN BØG HANSEN

JACOBSEN, BENT B., se NIELSEN, KARSTEN og BENT B. JACOBSEN

JENSEN, JØRN JACOB, se JOHANNESSEN, JOHANNES MORSVIG og JØRN JACOB JENSEN

JOHANNESSEN, JOHANNES MORSVIG og JØRN JACOB JENSEN: Ikke-lineære pladeberegninger (\*Nonlinear plate bending analysis. In Danish). Eksamensprojekt, Afdelingen for Bærende Konstruktioner, 1990, 186 s. + 46 s. bilag. Fotokopi, kr. 232,-.

Der er opstillet elementmetodeformulering for tværbelastede plader under hensyntagen til geometriske og materialemæssige ikke-lineariteter. Formuleringen er implementeret i et elementmetodeprogram og aftestet.

Lærer: Leif Otto Nielsen.

\*A finite element method formulation for lateral loaded plates is developed considering geometric and material non-linearities. The

formulation is implemented in a finite element computer program and tested.

Project leader: Leif Otto Nielsen.

NIELSEN, KARSTEN og BENT B. JACOBSEN: Analyse af komposit skråstagsbro. (\*Analysis of composite cable-stayed bridge. In Danish). Eksamensprojekt, Afdelingen for Bærende Konstruktioner, 1990, 140 s. + 55 s. bilag + edb-udskrifter. Fotokopi, kr. 195,-.

Fri frembygning af komposit skråstagsbro foretages mest hensigtsmæssigt ved to stag-opspændinger. Der udvikles en metode til bestemmelse af stag-opspændinger ved montagen ud fra en given egenvægtstilstand.

Svind og krybning i betonpladen af komposit-afstivningsdrageren undersøges med hensyntagen til montagen. Der søges en lettere metode til beregning af svind og krybningsbidrag til egenvægtstilstanden. Ved at påføre den fulde egenvægt på det endelige brosystem til tiden  $T/2$ , hvor  $T$  er tiden for montagen, opnås en rimelig tilnærmelse af svind- og krybningspåvirkningerne.

Endelig undersøges fordelingen af stagkræfterne i betonpladen ved skiveberegning.

Lærer: Niels J. Gimsing.

\*Erection of a cable-stayed bridge with a composite girder section is most favorably accomplished by tensioning the stays in two stages.

A method is developed to determine the initial cable tensions so as to arrive at a desired dead load condition.

The influence of shrinkage and creep of the concrete slab is studied and it is found that a good approximation can be reached by assuming the entire dead load applied to the final structure at time  $T/2$ , where  $T$  is the total erection period.

Project leader: Niels J. Gimsing.

TINNING, HENRIK: EDB-beregning af trækonstruktioner. (\*Computer analysis of timber structures. In Danish). Eksamensprojekt, Afdelingen for Bærende Konstruktioner, 1990, 36 s. + 61 s. app. Fotokopi, kr. 97,-.

Der er udviklet et FEM-program til analyse af plane trækonstruktioner vha. bjælkeelementer samt nogle særlige forbindelselementer. Disse tager hensyn til de enkelte forbindelsesmidlers placering i forbindelsen samt deres ikke-lineære arbejdskurve. Deres arbejdskurve kan indgives som en kombination af et  $n$ 'te grads polynomium og en eksponentialfunktion.

Systemligningerne løses vha. Residuallastmetoden, der har vist sig effektiv for konstruktioner af moderat størrelse, når analysen foretages på en PC.

Lærer: Hilmer Riberholt.

\*A FEM-program has been developed for the analysis of plane timber structures by means of beam elements and some special connection elements. These take into account the position of each connector in the connection and their non-linear load-slip curve. The shape of these curves is determined by the input. They can be a combination of a polynomium of  $n$ 'th degree and an exponential function.

The system equations are solved by means of a Residual load method, which has proved to be effective for structures of moderate size when analyzed on a PC.

Project leader: Hilmer Riberholt.

## EMNEREGISTER

### A

Adaptivitet, 26

Armerede betonbjælker, 14

Armeret beton, 16, 17, 18, 28

### B

Beholdere, 7

Beslutningsfilosofi for konstruktioners dimensionering, 12

Beton, 9, 28

Binding, 34

Bjælke/ramme systemer, 10

Bjælker, 16, 17

Brudforlængelse, 23

Brudmekanik, 38, 41

Bygning, 13

### D

Deformationsteori, 36

Digital Billedanalyse, 25, 30, 33

### E

Elementmetoden, 10, 26

### F

FEM-program, 51

Fiberarmerede cementbaserede kompositmaterialer, 20

Fiberarmerede cementbaserede materialer, 23, 25, 30, 33, 34

Fiberarmeret beton, 35

Fibermembraner, 23

Fiberudtræk, 32

Finite elementmetode, 20

Finite pladelementer, 20

Fleraksede styrke, 9

Flerfags skråstagsbroer, 48

Forankring, 28

Forbindelsen, 51  
Forskningssamarbejde, 8  
Forskydning, 18, 29  
Forskydningsstyrke, 16  
Forspænding, 7, 17  
Forspændt beton, 29  
Forsøgsresultater, 9

## H

Huldækelementer, 29  
Hybridt flytningselement, 20  
Højstyrkebeton, 16, 35

## I

Ikke-injicerede kabler, 17  
Ikke-lineære arbejdskurve, 51  
Ikke-lineær elementmetode, 49  
Imperfektionsfølsomhed, 8  
Inkrementalteori, 36  
Integration, 22  
Internationalt samarbejde, 8

## J

Jordskælv, 13

## K

Kombinerede påvirkninger, 14  
Komposit skråstagsbro, 50  
Kompositmaterialer, 32  
Konstitutiv modellering, 34  
Konstitutive betingelser, 35  
Krybning, 7

## L

Lastkombinationer, 12  
Limede forbindelser, 29  
Limtræ, 29

## M

Markov, 42  
Materialeoptimering, 48  
Mekaniske forbindelser, 29  
Mikromekanismer, 23  
Mikrorevner, 25, 30, 33, 35  
Momentstive forbindelser, 29

## N

Normalprocesser, 18  
Normer, 12  
Numeriske metoder, 8

## P

Plader, 17  
Plasticitetsteori, 18, 29  
Postbuckling, 8  
Praktiske anvendelser, 23  
Prandtl-Reuss, 36  
Probabilistiske sikkerhedsmetoder, 12  
Problemgeneralitet, 26  
Projektering, 48

## R

Ramberg-Osgood, 36  
Ramme, 13  
Rekursiv substrukturering, 20  
Relaksation, 7  
Resumeer, 29  
Revneafstand, 28  
Revne mekanik, 32  
Revnevide, 28

## S

Sekvens af ekstremer, 18  
Semi-loof element, 20  
Shear lag, 36

Sikkerhedsindeks, 12  
Simulering, 18  
Skadesmekanik, 35  
Skadesudvikling, 25, 30, 33  
Skarpe rammehjørner, 29  
Skillefladebrud, 34  
Skilleflader, 32, 34  
Sportshal, 48  
Sprogbarrierer, 8  
Spændbeton, 7  
Spændingsomlejring, 7  
Stabilitet, 8, 10, 20  
Stokastisk, 42  
Struktureret analyse, 22  
Stålkonstruktioner, 6, 38, 41  
Svejste samlinger, 6, 38, 41  
Svind og krybning, 50  
Systemer, 9  
Systemplanlægningsværktøjer, 22  
Søjler, 18

## T

Tanke, 7  
Tilnærmelsesmetoder, 10  
Trækonstruktioner, 51  
Tværbelastede plader, 49  
Tyndvæggede bjælker, 20

## U

Udmattelse, 6, 38, 41  
Udmattelseslast, 18  
Udmattelsesprøvning, 34, 42

## Z

Z & C-åse, 20



**\*SUBJECT INDEX**

**A**

Adaptivity, 26  
Approximation methods, 10

**B**

Beams, 15  
Bending moments, 7  
Bond, 28, 34  
Buckling, stability, 20  
Building, 13

**C**

Cable-stayed bridge, 50  
Capacity of reinforced concrete beams, 12  
Circular prestressing, 7  
Codes of practice, 12  
Columns, 18  
Combined actions, 14  
Composite girder, 50  
Composite materials, 32  
Compound Poisson process, 11  
Concrete, 9, 28  
Connections, 24, 51  
Consecutive extremes, 18  
Constitutive behaviour, 35  
Constitutive modelling, 34  
Contact, 6  
Continuum damage mechanics, 35  
Crack spacing, 28  
Crack width, 28  
Creep properties, 7

**D**

Damage evolution, 25, 30, 33  
Decision philosophy for structural design, 12

Deformation theory, 36  
Digital image analysis, 25, 30, 33  
Distortion, 24

## E

Earthquake, 13

## F

Fatigue, 6, 38, 41  
Fatigue-testing, 42  
Fatigue load, 18  
FEM-program, 51  
Fiber pullout, 32  
Fiber reinforced cementitious materials, 25, 30, 33, 34  
Fibre membranes, 23  
Fibre reinforced cementbased composite materials, 25  
Fibre reinforced concrete, 35  
Finite element method, 10, 20, 26  
Finite plate elements, 20  
First-passage problems, 11  
Fracture mechanics, 32, 38, 41  
Frame, 13  
Frame structures, 10

## G

Gaussian vector process, 19  
Glued connections, 29  
Glulam, 29  
Groove welded attachments, 41

## H

High strength concrete, 16, 35  
Hollow core slabs, 29  
Hybrid displacement element, 20

## I

Imperfection sensitivity, 8

Importance sampling 11,  
Incremental theory, 36  
Integration, 22  
Interfaces, 32, 34  
Interfacial fracture, 34  
International cooperation, 8

## L

Language barriers, 8  
Lap plate connections, 6  
Lateral loaded plates, 49  
Load combinations, 12  
Load-Bearing, 12

## M

Markov, 42  
Measuring error, 6  
Mechanical connections, 29  
Microcracks, 25, 30, 33, 35  
Micromechanisms, 23  
Moment stiff connections, 29  
Monte Carlo directional simulation, 11, 19  
Multiaxial strength, 9  
Multispan cable-stayed bridges, 48

## N

Non-linear finite element method, 49  
Non-linear load-slip curve, 51  
Normal Processes, 18  
Numerical methods, 8

## O

Optimization of material, 48  
Outcrossing probability, 19

## P

Plastic theory, 18

Plastic work accumulation, 11  
Postbuckling, 8  
Practical applications, 23  
Prandtl-Reuss, 36  
Preloading, 6  
Prestressed concrete, 7  
Prestressed concrete plastic theory, 29  
Prestressing, 15  
Probabilistic reliability methods, 12  
Probability integration, 11  
Problem generality, 26  
Pure and combined actions, 12

## R

Ramberg-Osgood, 36  
Random damage accumulation, 11  
Random trigonometric polynomial, 19  
Recursive substructuring, 20  
Reinforced concrete, 16, 18  
Reinforced concrete beams, 14  
Reliability index, 12  
Research cooperation, 8

## S

Sampling distributions, 11  
Semi-loof element, 20  
Sharp frame corners, 29  
Shear, 18  
Shear lag, 36  
Shear strength, 16, 29  
Silo, 6  
Simulation, 18  
Slabs, 15  
Sports hall, 48  
Stability, 8, 10  
Steel structures, 38  
Stochastic, 42

**Stress, 6**  
**Stress analysis, 7**  
**Stress relaxation, 7**  
**Structural design, 7**  
**Structural reliability, 11, 19**  
**Structures analysis, 22**  
**Summaries, 29**  
**System planning, 22**

**T**

**Tanks (containers), 7**  
**Tension stiffening, 28**  
**Test results, 9**  
**Thin-walled beams, 20, 24**  
**Timber structures, 51**

**U**

**Ultimate tensile elongation, 23**  
**Unbonded tendons, 15**

**W**

**Warping, 24**  
**Welded joints, 38**

**Z**

**Z & C purlins, 20**

Abonnement på forelæsningsnotaterne, serie F

Afdelingen for Bærende Konstruktioner  
Danmarks Tekniske Højskole  
Bygning 118  
2800 Lyngby.

Undertegnede anmoder om abonnement på forelæsningsnotaterne, serie F, dækkende perioden 1.7.1991 - 30.6.1992. Abonnementsrabatten andrager 20%, og abonnementsafgiften vil blive opkrævet ved periodens udløb.

Stilling og navn: .....

Adresse: .....

Postnr. og -distrikt: .....

Abonnement på rapportererne, serie R

Afdelingen for Bærende Konstruktioner  
Danmarks tekniske Højskole  
Bygning 118  
2800 Lyngby.

Undertegnede anmoder om abonnement på rapportererne, serie R, dækkende perioden 1.7.1991 - 30.6.1992. Abonnementsprisen andrager kr. 130,-, og Afdelingen vil fremsende faktura efter modtagelsen af bestillingen.

Stilling og navn: .....

Adresse: .....

Postnr. og -distrikt: .....

Hvis De ikke allerede modtager Afdelingens resumeoversigt ved udgivelsen, kan Afdelingen tilbyde at tilsende næste års resumeoversigt, når den udgives, dersom De udfylder og returnerer nedenstående kupon:

Returneres til:

Afdelingen for Bærende Konstruktioner  
Danmarks Tekniske Højskole  
Bygning 118  
2800 Lyngby

Fremtidig tilsendelse af resumeoversigter udbedes af  
(bedes udfyldt med blokbogstaver):

Stilling og navn: .....

Adresse: .....

Postnr. og -distrikt .....

\*The Department has pleasure in offering to send you a next year's list of summaries, free of charge. If you do not already receive it upon publication, kindly complete and return the coupon below:

To be returned to:

Department of Structural Engineering  
Technical University of Denmark  
Building 118  
DK-2800 Lyngby, Denmark.

\*The undersigned wishes to receive the Department's list of Summaries:  
(Please complete in block letters)

Title and name: .....

Address: .....

Postal No. and district: .....

Country: .....



... ..  
... ..  
... ..  
... ..

... ..

... ..  
... ..  
... ..  
... ..

... ..  
... ..  
... ..

... ..  
... ..  
... ..  
... ..  
... ..  
... ..

AFDELINGEN FOR BÆRENDE KONSTRUKTIONER  
DANMARKS TEKNISKE HØJSKOLE

Department of Structural Engineering  
Technical University of Denmark, DK-2800 Lyngby

SERIE F  
(Forelæsningsnotater)

- F 88 BACH, FINN, JØRGEN NIELSEN og SØREN TRABERG: Eksamensopgaver i bærende konstruktioner ved grundkursus 1 og grundkursus 2. 1981. Kr. 33,-.
- F 89. GRAVESEN, SVEND og HENRIK OVERGAARD MADSEN: Opgaver i konstruktioners sikkerhed. 1981. Kr. 21,-.
- F 90. STANG, HENRIK: Introduktion til CCL. 1981. Kr. 14,-.
- F 91. BYSKOV, ESBEN: Tilnærmede bjækeløsninger bestemt ved de virtuelle flytningers princip. 1981. Kr. 17,-.
- F 92. BRØNDUM-NIELSEN, TROELS og ERIK SKETTRUP: Betonkonstruktioner I. 2. udg. 1982. Kr. 61,-.
- F 93. RIBERHOLT, HILMER: Trækonstruktioner. Forbindelser. 1983. Kr. 53,-.
- F 94. ASKEGAARD, V. og C. PHILIPSEN: Opgaver i forsøgsteknik 1. 2. udg. 1983. Kr. 34,-.
- F 95. LARSEN, H.J. og H. RIBERHOLT: Stabiliserende skiver af træplader. 1984. Kr. 15,-.
- F 96. PHILIPSEN, CLAUD: Dimensioneringsgrundlag for stålsøjler. 1984. Kr. 32,-.
- F 97. BRØNDUM-NIELSEN, TROELS og ERIK SKETTRUP: Betonkonstruktioner I. 3. udg. 1984. Kr. 72,-.
- F 98. BRØNDUM-NIELSEN, TROELS og ERIK SKETTRUP: Structural Concrete. Bibliography. 1984. Kr. 39,-.
- F 99. BYSKOV, ESBEN: Plane, Krumme Bjælker. 1984. Kr. 73,-.
- F 100. BRØNDUM-NIELSEN, TROELS og ERIK SKETTRUP: Betonkonstruktioner påvirket til vridning. 2. udg. 1984. Kr. 16,-.
- F 101. DYRBYE, C.: Opgaver i Bygningsdynamik. 5. udg. 1985. Kr. 45,-.
- F 102. FEDDERSEN, BENT og M.P. NIELSEN: Opgaver i styrkeberegning af beton og jernbeton. 1985. Kr. 17,-.
- F 103. NIELSEN, LEIF OTTO: Elementmetoden til bærende konstruktioner. 2. udgave. 1985. Kr. 90,-.
- F 104. RIBERHOLT, HILMER: Trækonstruktioner. Eksempler. 1985. Kr. 42,-.
- F 105. GIMSING, N.J.: Bjælke- og rammebroer i stål. 1985. Kr. 55,-.
- F 106. BRØNDUM-NIELSEN, TROELS og ERIK SKETTRUP: Betonkonstruktioner I. 4. udg. 1986. Kr. 95,-.
- F 107. BYSKOV, ESBEN: Tilnærmede bjækeløsninger bestemt ved de virtuelle flytningers princip. 2. udgave. 1986. Kr. 25,-.
- F 108. RIBERHOLT, H.: Stabiliserende skiver i trækonstruktioner. 1986. Kr. 17,-.
- F 109. MATHERON, G.: Estimating and Choosing (translated from the French by A.M. Hasofer). 1987. Kr. 110,-.
- F 110. LANGE-HANSEN, P.: Plasticitetsteori. Opgaver. 1987. Kr. 63,-.
- F 111. NIELSEN, LEIF OTTO: Opgaver i Pladers, Skivers og Massivers Statik, 3. Udgave. 1988. Kr. 40,-.
- F 112. KRENK, STEEN: Last på Offshore Konstruktioner. 1988. Kr. 40,-.
- F 113. GIMSING, N.J.: Skråstagsbroer. 1988. Kr. 75,-.
- F 114. KRENK, STEEN: Three-Dimensional Elastic Beam Theory, Part 1. Kr. 85,-.
- F 115. KRENK, STEEN: Three-Dimensional Elastic Beam Theory, Part 2. Kr. 75,-.
- F 116. ASKEGAARD, V.: Elektriske målemetoder til måling af termomekaniske størrelser. 2. udgave. Kr. 65,-.
- F 117. FEDDERSEN, B., M.P. NIELSEN, DAVID HOLKMANN OLSEN: Opgaver i Styrkeberegning af Beton og Jernbeton. 2. udgave. Kr. 27,-.
- F 118. DAMKILDE, LARS: Elementmetoden for bjælkekonstruktioner. 1990. Kr.
- F 119. DYRBYE, C.: Opgaver i bygningsdynamik, 6. udg. 1990. Kr. 35,-.
- F 120. RIBERHOLT, HILMER: Trækonstruktioner. Eksempler. 1991. Kr. 45,-.

Ved abonnement 1.7.1990 - 30.6.1991 opnås 20% rabat på priserne.

AFDELINGEN FOR BÆRENDE KONSTRUKTIONER  
DANMARKS TEKNISKE HØJSKOLE

Department of Structural Engineering  
Technical University of Denmark, DK-2800 Lyngby

SERIE R

(Tidligere: Rapporter)

- R 240. GIMSING, N.J.: Cable-Stayed Bridges with Ultra Long Spans. 1988.  
R 241. NIELSEN, LEIF OTTO: En Reissner-Mindlin Plade Element Familie. 1989.  
R 242. KRENK, STEEN og THORUP, ERIK: Stochastic and Concrete Amplitude Fatigue Test of Plate Specimens with a Central Hole. 1989.  
R 243. AARKROG, P., THORUP, E., KRENK, S., AGERSKOV, H. and BJØRNBAK-HANSEN, J.: Apparatur til Udmattelsesforsøg. 1989.  
R 244. DITLEVSEN, OVE and KRENK, STEEN: Research Workshop on Stochastic Mechanics, September 13-14, 1988.  
R 245. ROBERTS, J.B.: Averaging Methods in Random Vibration. 1989.  
R 246. Resumeoversigt 1988 - Summaries of Papers 1988. 1989.  
R 247. GIMSING, N.J., JAMES D. LOCKWOOD, JAEHO SONG: Analysis of Erection Procedures for Cable-Stayed Bridges. 1989.  
R 248. DITLEVSEN, O. og MADSEN, H.O.: Proposal for a Code for the Direct Use of Reliability Methods in Structural Design. 1989.  
R 249. NIELSEN, LEIF OTTO: Simplex Elementet. 1989.  
R 250. THOMSEN, BENITE DAHL: Undersøgelse af "shear lag" i det elasto-plastiske stadium. 1990.  
R 251. FEDDERSEN, BENT: Jernbetonbjælkens bæreevne. 1990.  
R 252. FEDDERSEN, BENT: Jernbetonbjælkens bæreevne, Appendix. 1990.  
R 253. AARKROG, PETER: A Computer Program for Servo Controlled Fatigue Testing Documentation and User Guide. 1990.  
R 254. HOLKMANN OLSEN, DAVID & NIELSEN, M.P.: Ny Teori til Bestemmelse af Revneafstande og Revnevidder i Betonkonstruktioner. 1990.  
R 255. YAMADA, KENTARO & AGERSKOV, HENNING: Fatigue Life Prediction of Welded Joints Using Fracture Mechanics. 1990.  
R 256. Resumeoversigt 1989 - Summaries of Papers 1989. 1990.  
R 257. HOLKMANN OLSEN, DAVID, GANWEI, CHEN, NIELSEN, M.P.: Plastic Shear Solutions of Prestressed Hollow Core Concrete Slabs. 1990.  
R 258. GANWEI, CHEN & NIELSEN, M.P.: Shear Strength of Beams of High Strength Concrete. 1990.  
R 259. GANWEI, CHEN, NIELSEN, M.P. NIELSEN, JANOS, K.: Ultimate Load Carrying Capacity of Unbonded Prestressed Reinforced Concrete Beams. 1990.  
R 260. GANWEI, CHEN, NIELSEN, M.P.: A Short Note on Plastic Shear Solutions of Reinforced Concrete Columns. 1990.  
R 261. GLUVER, HENRIK: One Step Markov Model for Extremes of Gaussian Processes. 1990.  
R 262. DAHL, KAARE, K.B.: Preliminary State-of-the-art Report on Multiaxial Strength of Concrete. 1990  
R 263. JØNSSON, JEPPE: Recursive Finite Elements for Buckling of Thin-walled Beams. 1990.  
R 264. NIELSEN, LEIF OTTO: FEM3 - prototype på problemgenerelt h-p FEM-program. 1990.  
R 265. PETERSEN, PETER, KRENK, STEEN og DAMKILDE, LARS: Stabilitet af rammer af tyndpladeprofiler. 1991.  
R 266. RIBERHOLT, HILMER og MORSING, NIELS: Limtræ af dansk træ, HQL-planker. 1991.  
R 267. ILIC, ALEKSANDAR: Konstruktionspatologi. 1991.  
R 268. Resumeoversigt 1990 - Summaries of Papers 1990. 1991.

